

# SRT03E ELECTRONIC THERMOSTAT

## DESCRIPTION

SRT03E series electronic thermostats are mainly used in central air-conditioning heating and cooling system. It provides temperature control for central air-conditioning fan coil cooling/heating zone valve or other electric actuator by the control signal which is produced by comparison of actual tested ambient temperature and setting temperature.



## CHARACTERISTICS

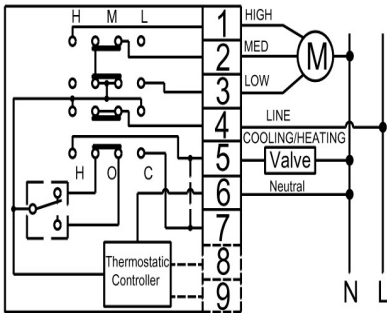
- Smart and simple design.
- Connected with internal or external sensor.
- Spare parts with high quality. It can control the temperature accurately and with high sensitivity and reliability.
- Convenient installation. Wall-mounted, embedded, embedded-plate or concealed mounted.

## SPECIFICATIONS AND TECHNICAL DATA

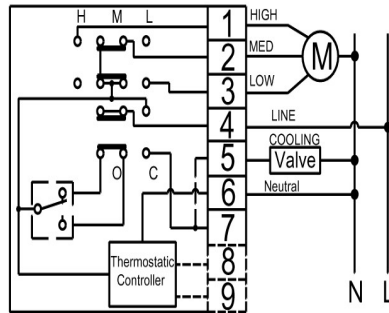
| MODEL                       | SRT03EA   | SRT03EB          | SRT03EC               |
|-----------------------------|---|------------------|-----------------------|
| TYPE                        | 2-pipe, heat-off-cool   | 2-pipe, off-cool | 4-pipe, heat-off-cool |
| POWER SUPPLY                | 220V AC $\pm 10\%$ , 50/60 Hz   |                  |                       |
| CONTROL RANGE               | 10~30°C   |                  |                       |
| OUTPUT SIGNAL               | Relay output on/off signal  |                  |                       |
| POWER CONSUMPTION           | 5VA   |                  |                       |
| CONTROL PRECISION           | $\pm 1^\circ\text{C}$   |                  |                       |
| SENSITIVE ELEMENT           | NTC thermistor (10K), for external sensor, the wire should not exceed 15m |                  |                       |
| RATED LOAD OF FAN SWITCH    | 6 (2) A 250V AC   |                  |                       |
| WIRING CONNECTION           | Wiring terminal connection, wiring 0.5~1.5mm <sup>2</sup>                 |                  |                       |
| HOUSING                     | Fire-proof ABS engineering plastic, compliance with UL94V-0 standard      |                  |                       |
| WORKING ENVIRONMENTAL RANGE | 0 ~ +50°C and 10 ~ 90% RH non-condensation                                |                  |                       |
| STORAGE TEMPERATURE RANGE   | -10 ~ 60°C  |                  |                       |
| NET WEIGHT                  | 70g   |                  |                       |

# WIRING DIAGRAM

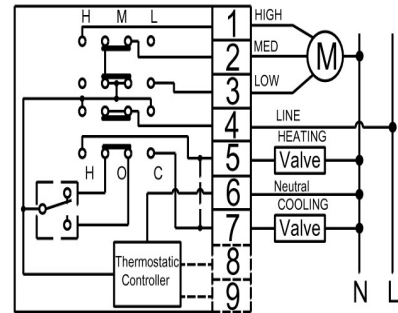
SRT03EA



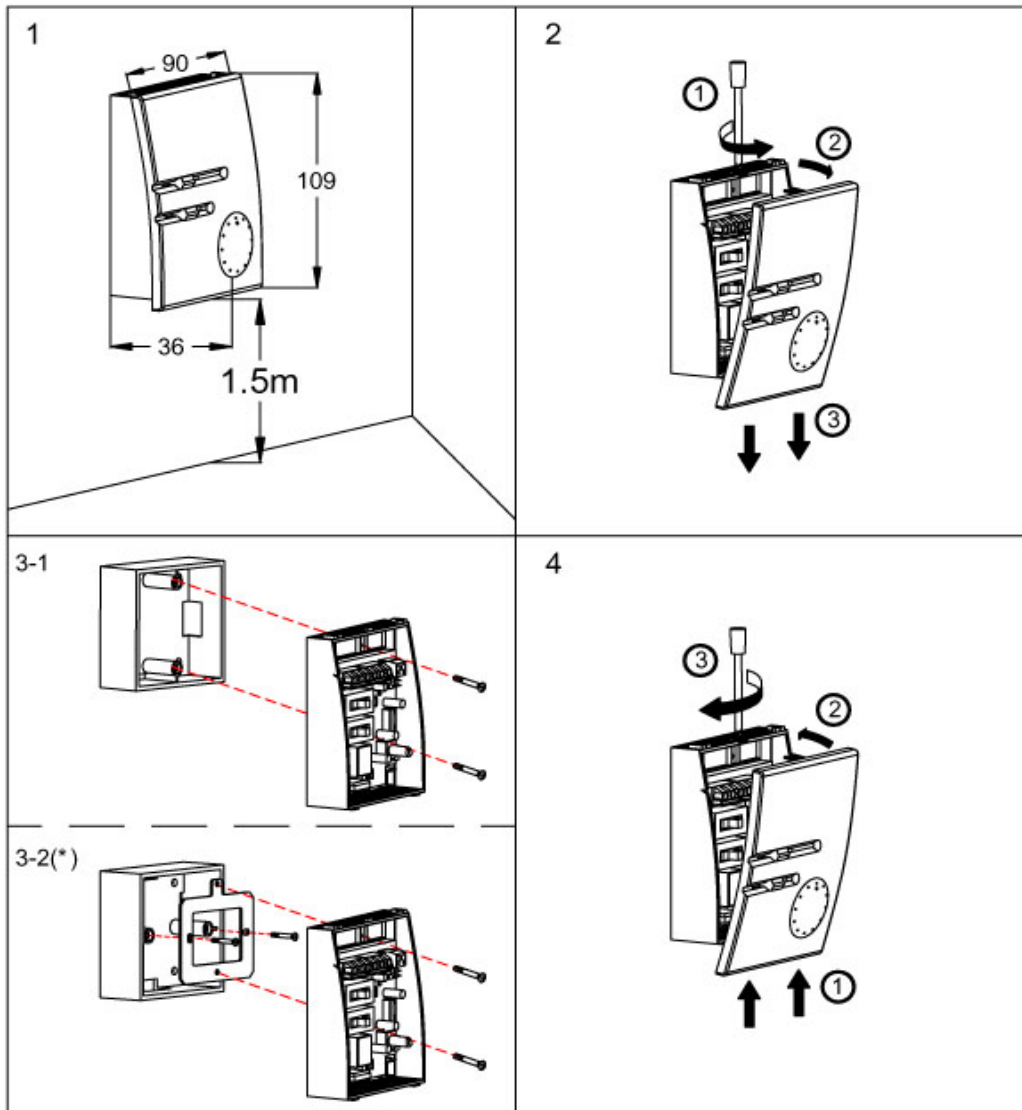
SRT03EB



SRT03EC



# INSTALLATION DIAGRAM



\*Horizontal hole installation board is for optional.